

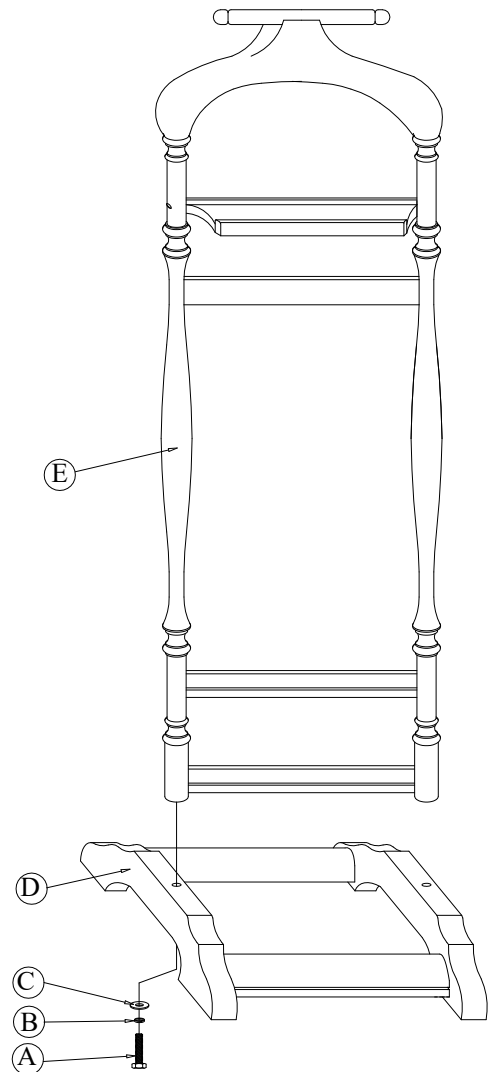
BUTLER

Assembly Instructions
Style Number 1926

SPECIALTY COMPANY
8200 SOUTH CHICAGO AVE., CHICAGO, IL 60617

PACKAGED

- | | |
|-----------------------|------------------------|
| (A) 2 – Screw | (D) 1 – Base |
| (B) 2 – Spring Washer | (E) 1 – Valet assembly |
| (C) 2 – Washer | |



(* **Caution: DO NOT OVERTIGHTEN.**

In any correspondence regarding this product, please include the complete Butler identification number located on the underside of the product.

We hope this Valet will be a useful and decorative addition to your home for years to come.

Copyright © Butler Specialty Company, 04/07